

Silent Gliss® 6120/6130/1003 Systems

Fitting Instructions

WARNING

Parents should realise that children could accidentally strangle in window blind cords. Keep the cords out of the reach of children using one of these devices.



1. Clothes peg or bulldog clip



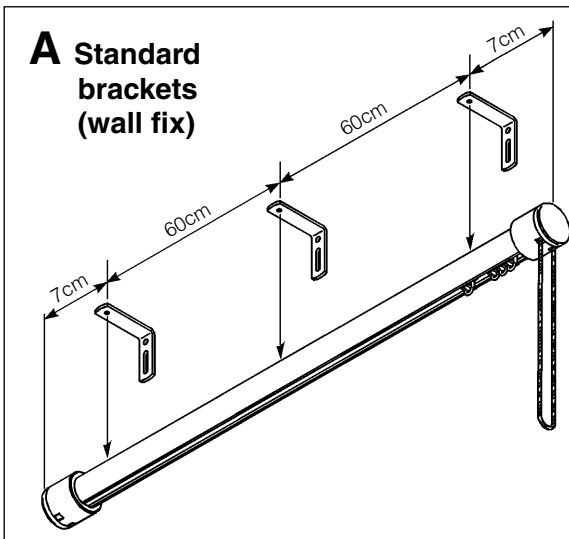
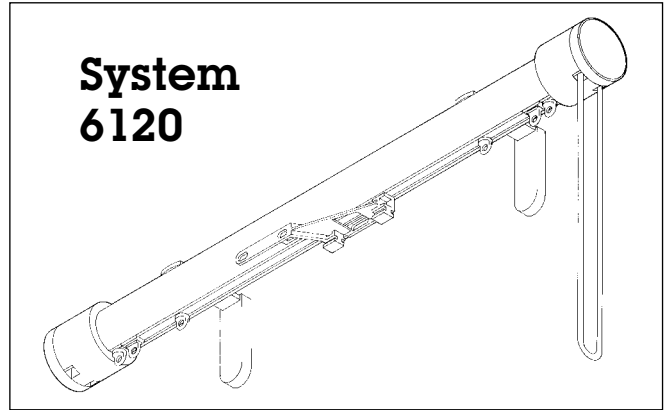
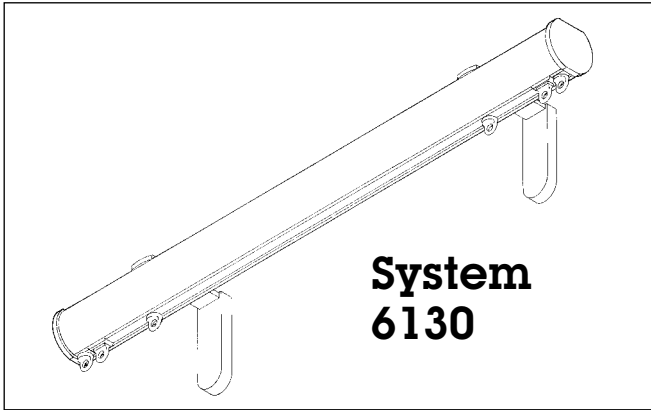
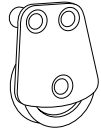
2. Cleat



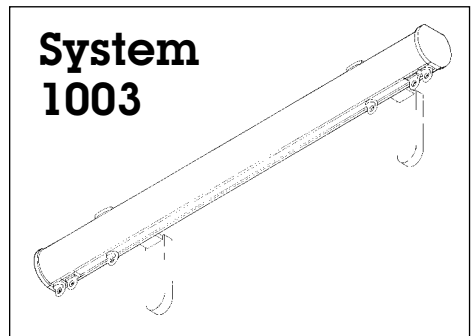
3. Tie cord to itself



4. Cord tidy (Silent Gliss part No. 3799)

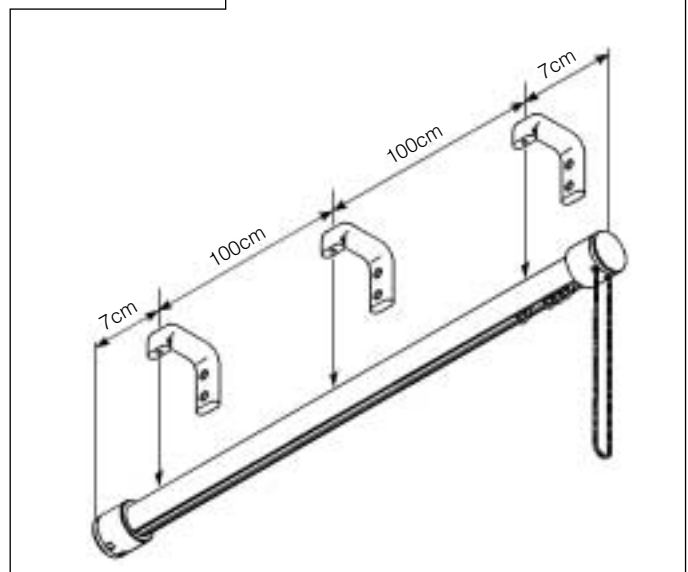
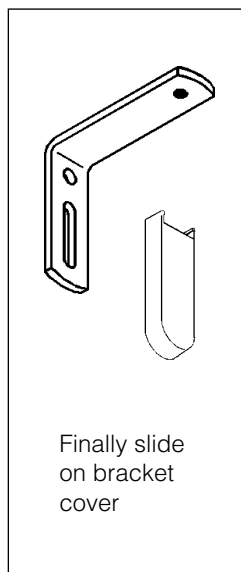
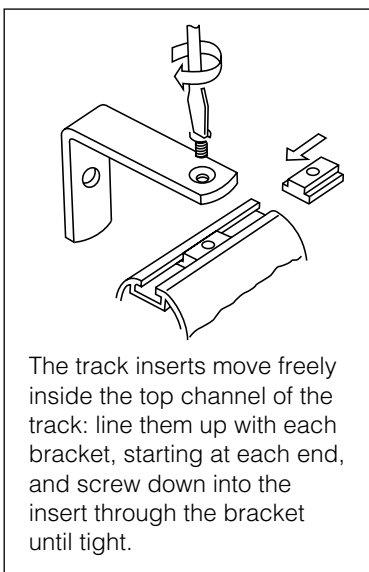


Offer track up to wall and mark a point 7cm (2³/₄") in from each end. Firmly fix brackets to wall in these positions. Fix remaining brackets to wall at equal intervals between these brackets (approx. 60cm/2'0") ensuring that they are perfectly level.



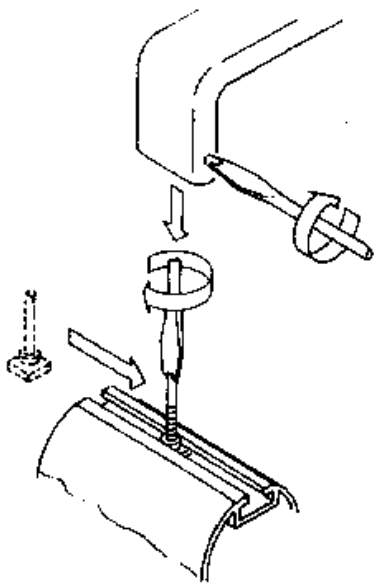
B 'Ultra' wall fix brackets

Screw wall brackets to wall as in 'A' above (but at 100cm/3'3" intervals).



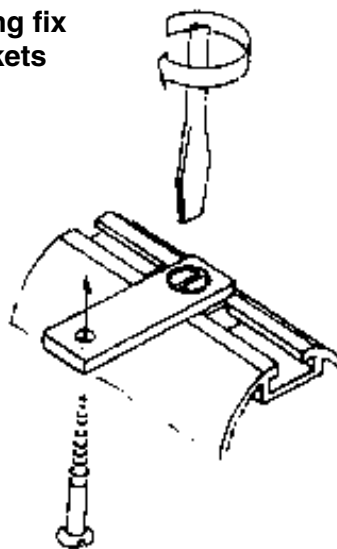
Silent Gliss® 6120/6130/1003 Systems

Fitting Instructions



Align track inserts in top of channel with the centre of the brackets and tighten so that they no longer move. Offer insert up to wall brackets and slide into hole on the bottom of the bracket. Screw in side of bracket until tight.

C Ceiling fix brackets



Ceiling fix bracket and insert are loose in top channel of track. Ascertain where you want the brackets to be fixed by offering the track up to the ceiling. (Again the outside fixing points should be 7cm/2³/₄" from the outside edge of the track and max. 60cm/2'0" apart.) Tighten bracket and insert until they do not move, in the positions required. Offer track up to the ceiling and mark through the other hole in the bracket. Drill and plug the ceiling and fix firmly.

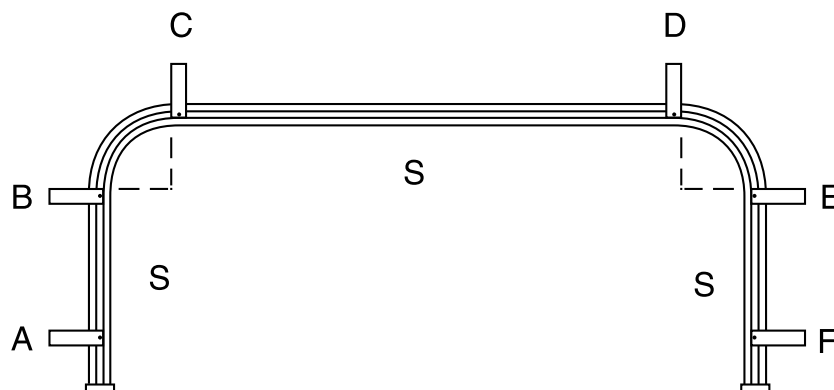
Bay windows

These tracks are designed to function superbly around bay windows.

However:

- Do ensure that nothing projects all around the window as this will detract from the performance of the system and snag your curtains.
- For wall-fixing there are optional longer brackets to assist with this problem. When ceiling fixing this should be taken care of at the setting out stage. **Do not attempt to 'tweak' or otherwise force the track** since this will damage the gliding channel and obviate the guarantee.

Locate brackets A, B, C, D, E, F first of all. A and F are 7cm/2³/₄" in from either end. B, C, D, E are located on the straight part of the track as soon as it comes out of the bend. Locate the remaining brackets evenly distributed on the straight parts (S) of the track between the brackets already positioned. For standard and ceiling fix brackets there should be a max. of 60cm between them. For 'Ultra' brackets a max. of 100cm between them.



0403

Silent Gliss Limited

Star Lane, Margate, Kent CT9 4EF, England
 Telephone: 01843 863571 Fax: 01843 864503
 E-mail: info@silentgliss.co.uk
 www.silentgliss.co.uk

