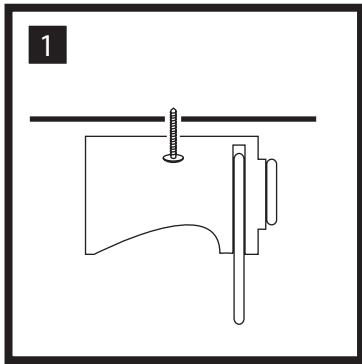
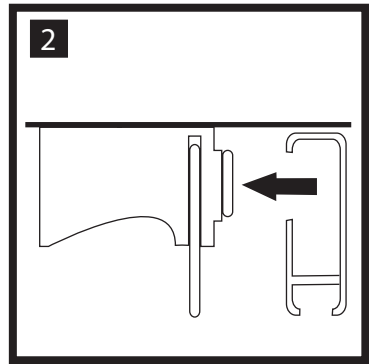


# H785 - VECTOR TRACK INSTRUCTIONS

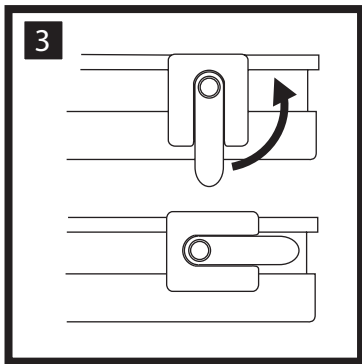
---



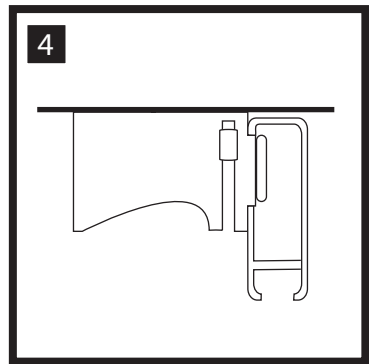
Mark the position of the locking bracket and screw firmly into the wall or ceiling.



Once the bracket is firmly fixed attach the head rail onto the bracket.



Move the lever on the bracket anti-clockwise to lock the head rail into place.



Your Vector Track is now ready for use.